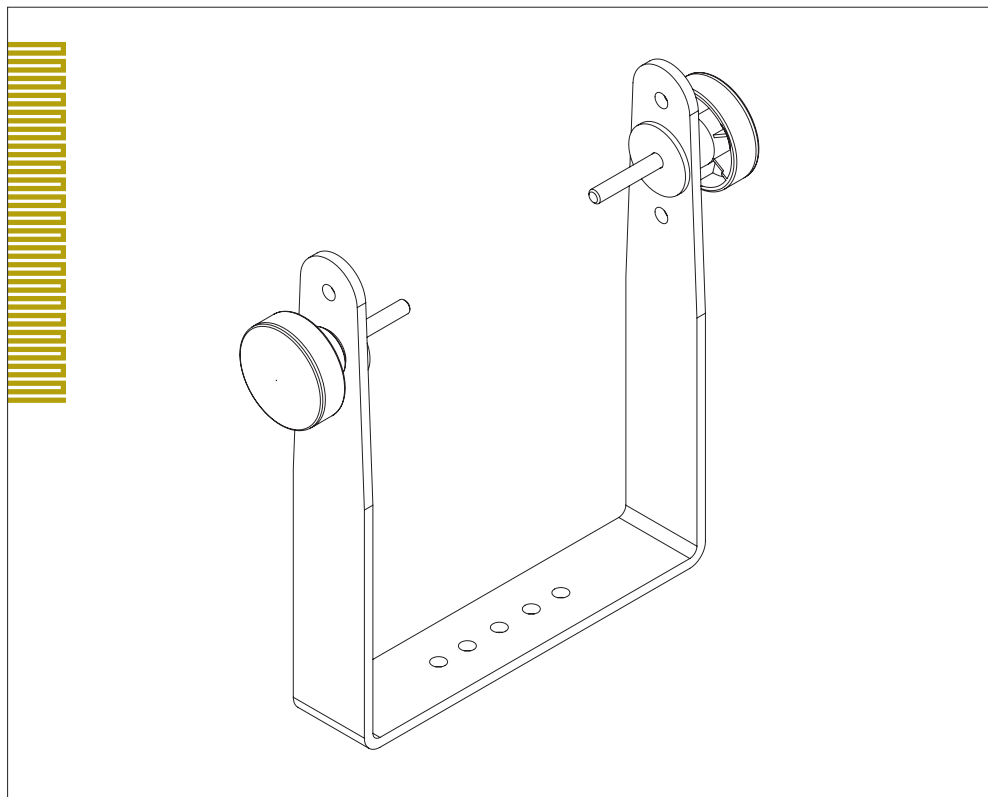


USER MANUAL

MOUNTING BRACKET FOR ADAM S2V



Order No. 31102100

IMPORTANT NOTES

ON INSTALLATION AND SAFETY

- Installation and assembly must be carried out by a qualified specialist.
- The following information is exclusively for the use of the specialist, who should be able to carry out their task correctly. This specialist's training must include the ability to identify possible hazards and assess risks in order to implement all appropriate health and safety measures.
- Please read the installation and safety instructions thoroughly. When transferring ownership or use of this product, this manual must always be included.
- Read the operating instructions for the speaker system, which is to be mounted on this mounting device, and follow its installation notes.
- Only use accessories and spare parts from the ADAM Audio range.
- Observe all relevant regional, national and international regulations and guidelines when installing.
- Use the ADAM Audio ceiling mount and other mounting accessories [please refer to the overview on page 8] only to attach speakers weighing up to 13 kg [28.7 lbs].
- The mounting bracket must not be exposed to vibrations.

On page 8 of this user manual and in the download area of www.adam-audio.com you will find a schematic illustration as an aid for mounting ADAM Audio's accessories. Only use those fastening materials shown in this illustration.



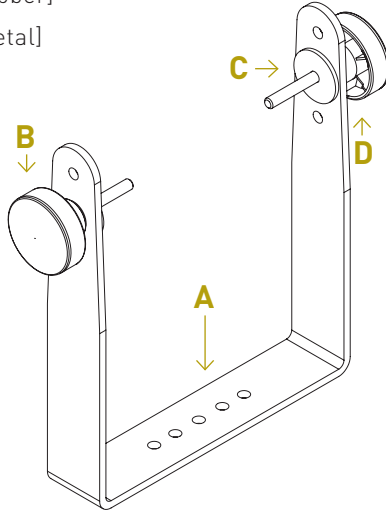
DANGER!

Dropping the speaker system or its mounting accessory[ies] may result in injuries to personnel and damage to property.

During installation, there is a risk that the speaker system and mounting hardware may fall down. As long as full assembly has not yet been carried out, the speaker system must be held in place by another qualified specialist. In addition, you must provide any additional protection required to prevent the speaker from falling down.

Parts List

- A:** 1 x Mounting bracket
- B:** 2 x Round handle screws M8 x 25
- C:** 2 x Washers [rubber]
- D:** 2 x Washers [metal]



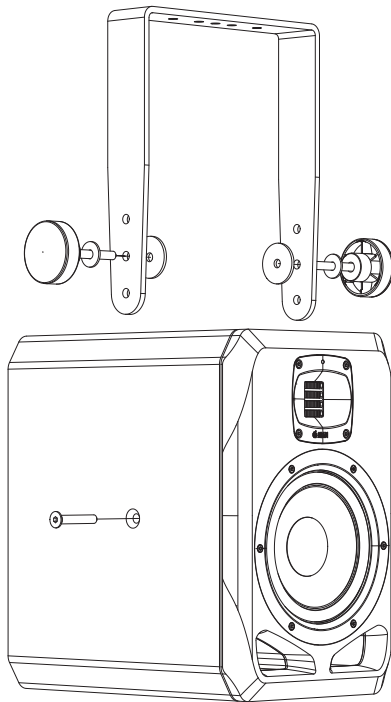
DANGER!

Dropping the speaker system or its mounting accessory[ies] may result in injuries to personnel and damage to property.

If you use screws other than the original screws **B**, there is a risk that the speaker system or mounting accessories may fall down. Only use the original screws **B** when attaching the mounting bracket to a monitor.

INSTALLING

- Remove the screws pre-mounted on the sides of the speaker.
- You may attach the bracket to the top or bottom of the speaker system.
- If you wish to use the speaker in a hanging position, attach the mounting bracket on the top of the speaker.



- Do not place the speaker system into the desired angle of inclination until it is fully connected to the mounting bracket and the rest of the assembly / accessories from ADAM Audio.
- The maximum possible angle of inclination depends on the mounting hole you choose and the direction in which you are tilting the monitor towards.
- Once the desired inclination is achieved, tighten the screws until the speaker is fixed at its tilt angle.
- If you use the mounting bracket to suspend the monitor from a horizontal surface or a supporting beam, make sure that the surface or supporting beam has the load bearing capacity required for the total weight [monitor and mounting hardware], also, be sure to observe possible leverage effects taking into account the installation and safety instructions of the supporting beam.
- If necessary, attach additional mounting accessories from ADAM Audio [see graphic design overview on page 8] to the mounting bracket. Always refer to these assembly and safety instructions, which are enclosed with the accessories.
- If different positions are possible, attach the mounting hardware to the mounting bracket in such a way that it produces the least possible leverage. As a rule, this is the case when you attach the mounting accessories to the center of the mounting bracket.

Technical Specifications

Weight: 1,90 kg [4.20 lbs]

Dimensions [H x W x D]: 290 mm x 240 mm x 50 mm
[11.4" x 9.4" x 2"]

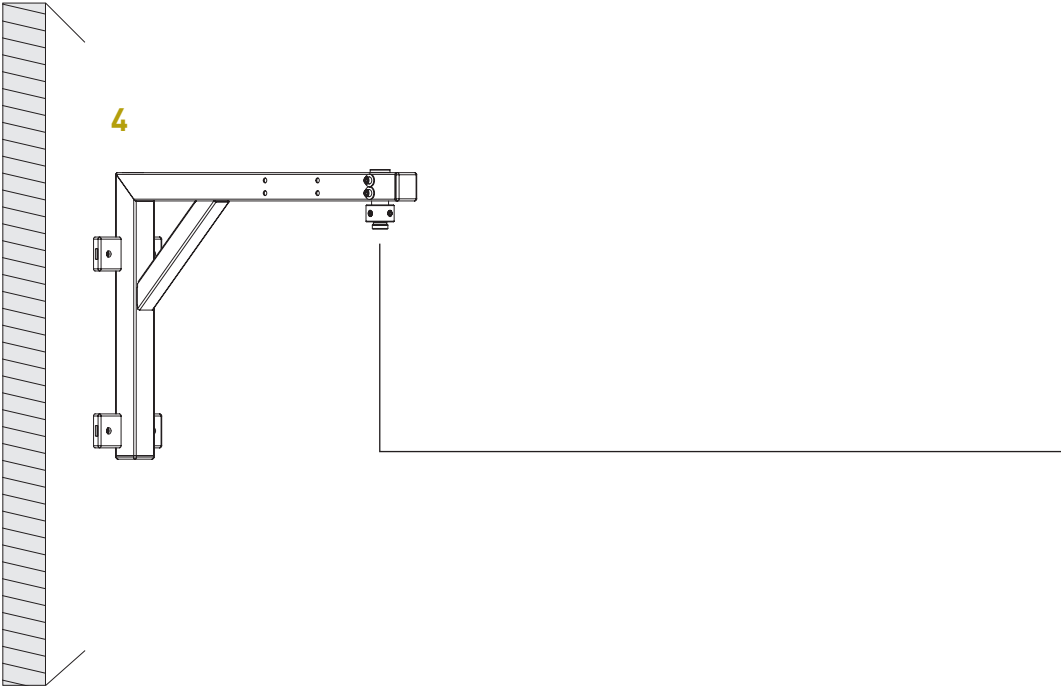
Max. load: 13 kg [28.7 lbs].

Warranty

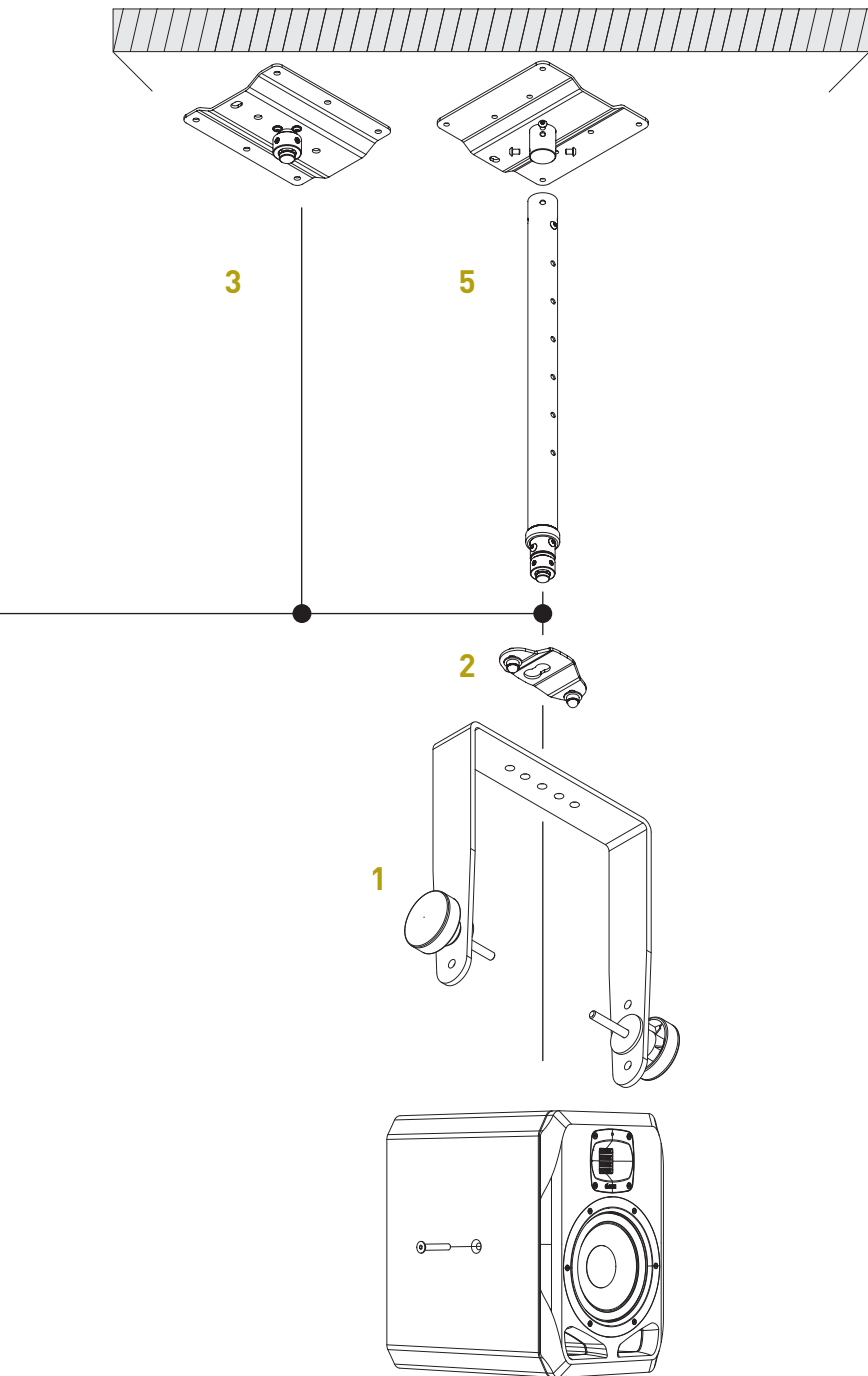
Our **current warranty** conditions may be found at

www.adam-audio.com

MOUNTING ACCESSORIES



	Article Description	Order No.
1	MOUNTING BRACKET FOR S2V	31102100
2	ADAPTER PLATE FOR MOUNTING BRACKET	31102400
3	CEILING MOUNT	31102500
4	WALL MOUNTING	31102600
5	TELESCOPIC CEILING MOUNT	31102700



OFFICIAL REQUIREMENTS: THE FOLLOWING SHOULD BE STRICTLY ADHERED TO

1. At least every 3 months, check that the ceiling mount, mounting hardware, fuse ropes and their connectors, as well as the monitor itself, are in serviceable condition. Check that all screws are tightened.
2. Ensure that all power, audio and coupling cabling attached to the monitor system have no strain exerted on them, i.e.: any and all cables must never bear any of the weight of the monitors or their accessories including brackets, mounts, tripods etc.
3. Use both screws **B** to attach the mounting bracket to the studio monitor.
4. Ensure that at all times the monitor, the tripod and /or supporting beam are prevented from tipping over.

Should you deviate from any of the above installation and safety instructions, or should any of the items become damaged, you must immediately uninstall the entire system.

© ADAM Audio GmbH 2018

Even if all efforts have been made to ensure the correctness of the information contained herein, the ADAM Audio GmbH cannot be held responsible for potential errors or missing information.

All specifications are subject to change without notice.

ADAM AUDIO GMBH

BERLIN, GERMANY

T +49 30-863 00 97-0

F +49 30-863 00 97-7

INFO@ADAM-AUDIO.COM

ADAM AUDIO UK

EMAIL: UK-INFO@ADAM-AUDIO.COM

ADAM AUDIO USA INC.

EMAIL: USA-INFO@ADAM-AUDIO.COM

WWW.ADAM-AUDIO.COM

