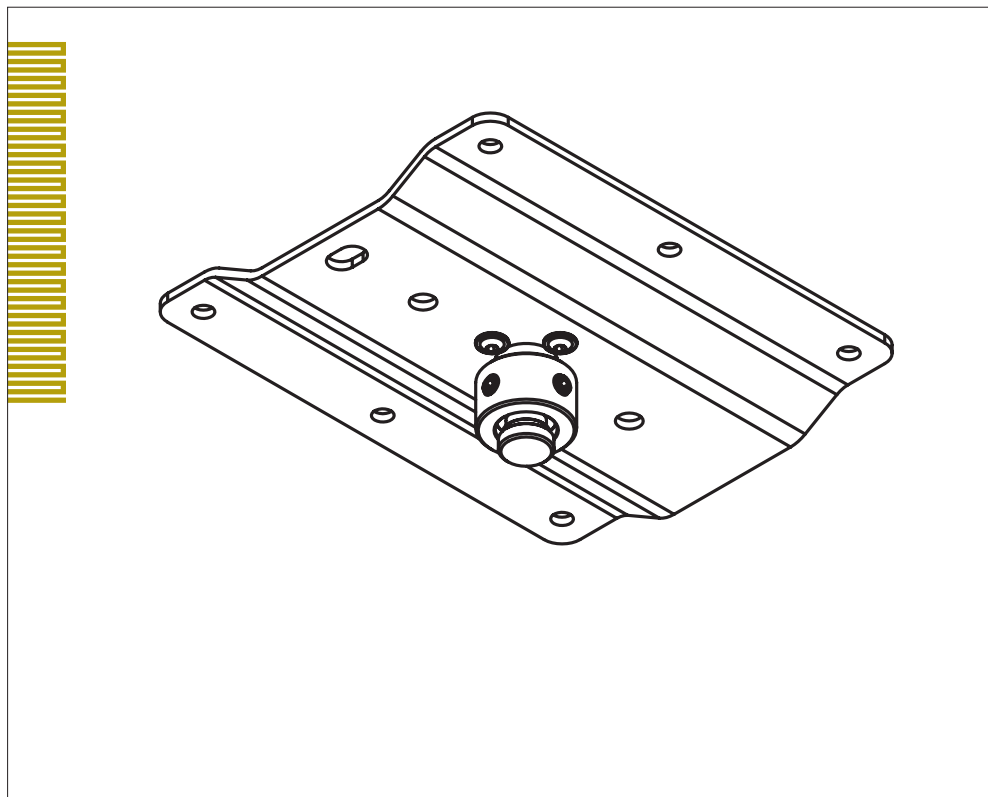


USER MANUAL

CEILING MOUNT



Order No.: 31102500

IMPORTANT NOTES

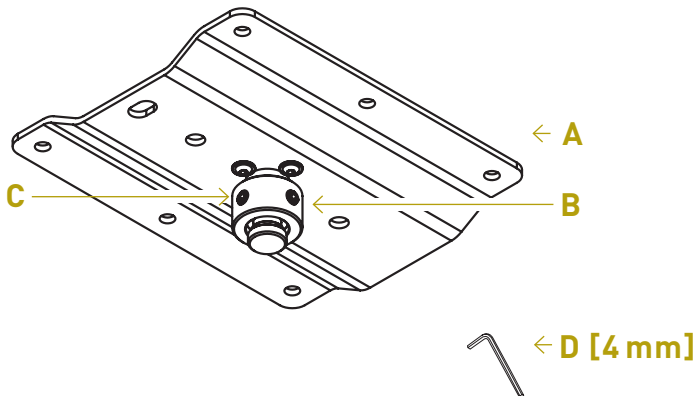
ON INSTALLATION AND SAFETY

- Installation and assembly must be carried out by a qualified specialist.
- The following information is exclusively for the use of the specialist, who should be able to carry out their task correctly. This specialist's training must include the ability to identify possible hazards and assess risks in order to implement all appropriate health and safety measures.
- Please read the installation and safety instructions thoroughly. When transferring ownership or use of this product, this manual must always be included.
- Read the operating instructions for the speaker system, which is to be mounted on this mounting device, and follow its installation notes.
- Only use accessories and spare parts from the ADAM Audio range.
- Observe all relevant regional, national and international regulations and guidelines when installing.
- Use the ADAM Audio ceiling mount and other mounting accessories only to attach speakers weighing up to 40,6 kg [89.5 lbs].
- The ceiling mount must not be exposed to vibrations.

On page 8 of this user manual and in the download area of www.adam-audio.com you will find a schematic illustration as an aid for mounting ADAM Audio's accessories. Only use those fastening materials shown in this illustration.

Parts List

- A:** 1 x Support plate
- B:** 1 x Retaining ring
- C:** 4 x Nuts and bolts M8 x 10
[Pre-assembled with the retaining ring **B**]
- D:** 1 x Hexagon key [4 mm]



DANGER!

Dropping the support plate A may result in injuries to personnel and damage to property.

Until the support plate A is properly and correctly secured or fixed, they can still fall down. Until the support plate A is attached to a load-bearing horizontal surface a second similarly qualified specialist to the first one must hold those the component.

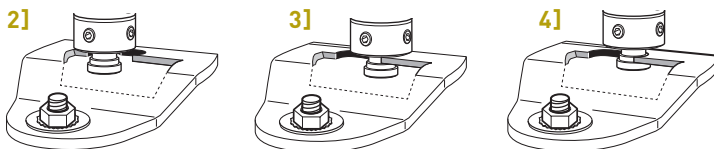
- Attach the support plate A to a load bearing horizontal surface using all 6 mounting holes.
- This area must be able to bear the total weight resulting from the weight of the speaker system and the accessories used. Also consider possible leverage when calculating this weight.
- When selecting the fastening elements [not included], please ensure that they can be anchored permanently to the material of the selected horizontal surface, and can carry the calculated total weight.

INSTALLING

- Do not place the loudspeaker into the desired angle of inclination until it is fully connected to the ceiling bracket and mounting hardware and the securing screws are tightened.
- Attach the loudspeaker provided with mounting accessories to the ceiling bracket. Please follow the instructions below.
- Loosen the 4 threaded pins **C** on the retaining ring **B** and slide it upwards. Tighten one of the threaded studs so that the retaining ring can not slide off [Fig. 1].

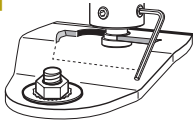


- Attach the mounting hardware, e.g. Adapter Plate For Mounting Bracket, attached to the speaker system to the telescopic boom **A**. Please follow the three steps shown in Figures 2 to 4.

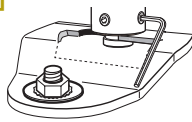


→ Loosen the tightened screw **C** [Fig. 5] and slide the retaining ring **B** downwards until it rests on the top of the mounting accessory [Fig. 6].

5]



6]



→ Tighten the thread pin **C** again [approx. 10 Nm], so that the retaining ring **B** does not slip off during the following alignment of the monitor.

→ Move the monitor to the desired horizontal position.

→ Tighten all 4 threaded studs **C** with a torque of 15 Nm. The speaker system is now securely connected to the ceiling bracket.

→ Move the monitor to the desired vertical position [tilt angle].

DANGER!

Dropping the speaker system may cause injury and property damage.

There is a risk that the speaker system could fall down until the mounting accessories on the ceiling mount **A** are finally fixed. As long as this installation has not yet been carried out, the speaker system must be held by another qualified specialist. The above requirements also apply to this specialist. In addition, you must provide an additional safety means to prevent the speaker from falling down.

Technical Specifications

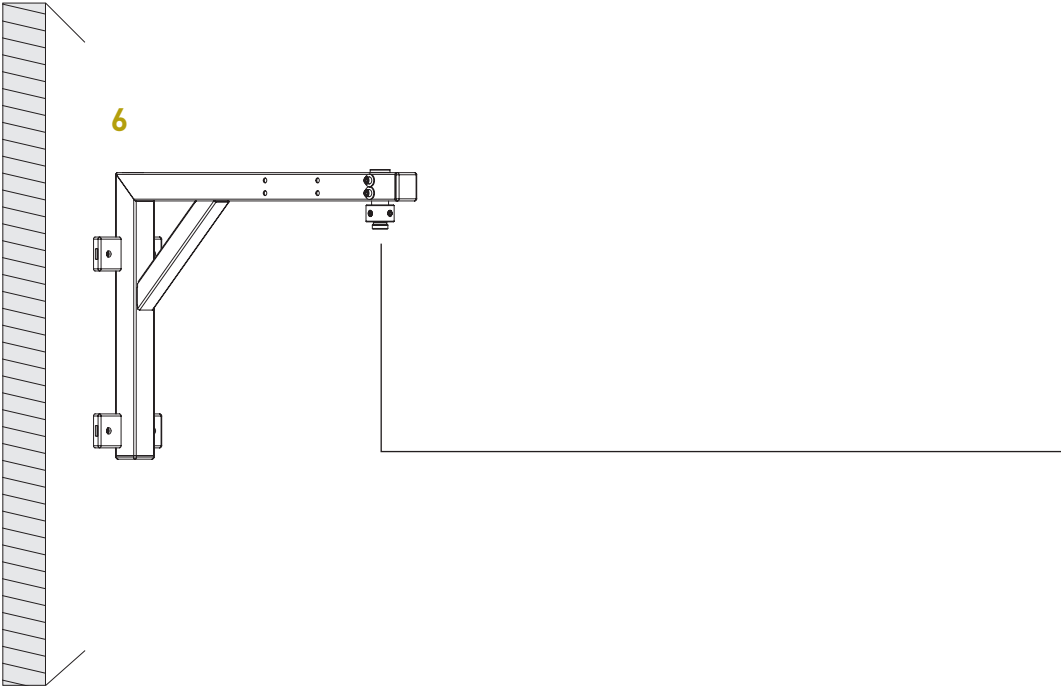
Ceiling Mount

Weight:	1,8 kg [4.0 lbs]
Dimensions:	62 x 190 x 230
mm [H x W x D]	[2.4" x 7.5" x 9.1"]
Max. load:	40,6 kg [89.5 lbs]

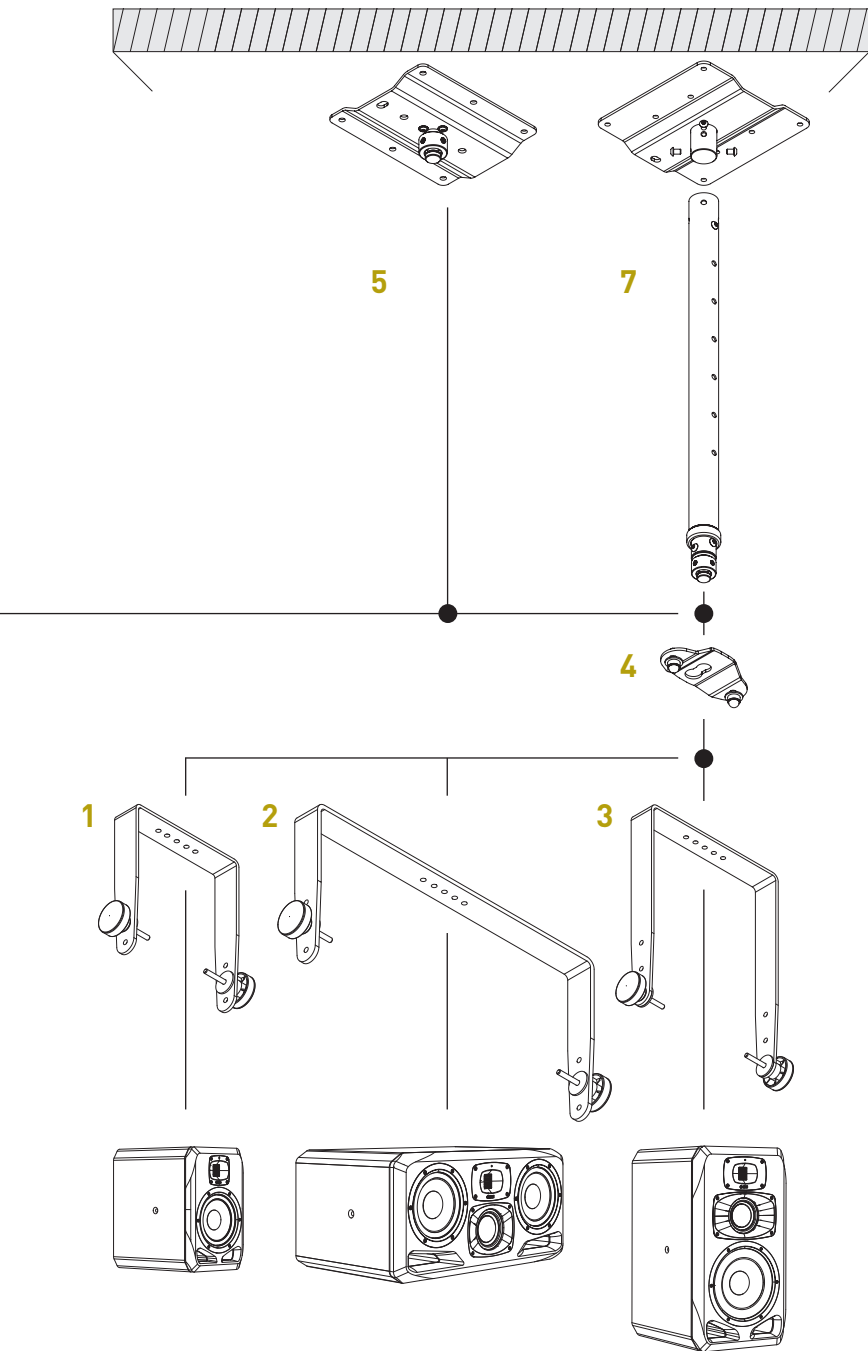
Warranty

Our current **warranty conditions** may be found at **www.adam-audio.com**

MOUNTING ACCESSORIES



	Article Description	Order No.
1	MOUNTING BRACKET FOR S2V	31102100
2	MOUNTING BRACKET FOR S3H	31102200
3	MOUNTING BRACKET FOR S3V	31102300
4	ADAPTER PLATE FOR MOUNTING BRACKET	31102400
5	CEILING MOUNT	31102500
6	WALL MOUNTING	31102600
7	TELESCOPIC CEILING MOUNT	31102700



OFFICIAL REQUIREMENTS: THE FOLLOWING SHOULD BE STRICTLY ADHERED TO

1. At least every 3 months, check that the ceiling mount, mounting hardware, fuse ropes and their connectors, as well as the monitor itself, are in serviceable condition. Check that all screws are tightened.
2. Ensure that all power, audio and coupling cabling attached to the monitor system have no strain exerted on them, i.e.: any and all cables must never bear any of the weight of the monitors or their accessories including brackets and telescopic assemblies etc.

Should you deviate from any of the above installation and safety instructions, or should any of the items become damaged, you must immediately uninstall the entire system.

© ADAM Audio GmbH 2018

Even if all efforts have been made to ensure the correctness of the information contained herein, the ADAM Audio GmbH cannot be held responsible for potential errors or missing information.

All specifications are subject to change without notice.

ADAM AUDIO GMBH

BERLIN, GERMANY

T +49 30-863 00 97-0

F +49 30-863 00 97-7

INFO@ADAM-AUDIO.COM

ADAM AUDIO UK

EMAIL: UK-INFO@ADAM-AUDIO.COM

ADAM AUDIO USA INC.

EMAIL: USA-INFO@ADAM-AUDIO.COM

WWW.ADAM-AUDIO.COM

