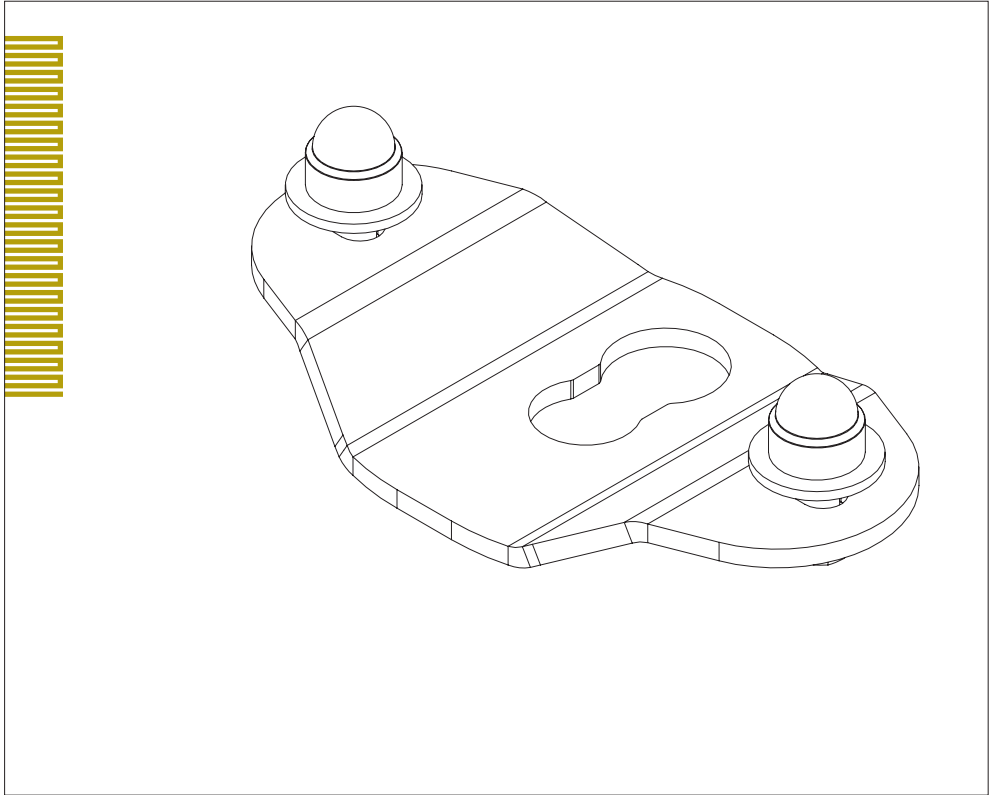


USER MANUAL

ADAPTER PLATE FOR MOUNTING BRACKET



Order No. 31102400

IMPORTANT NOTES

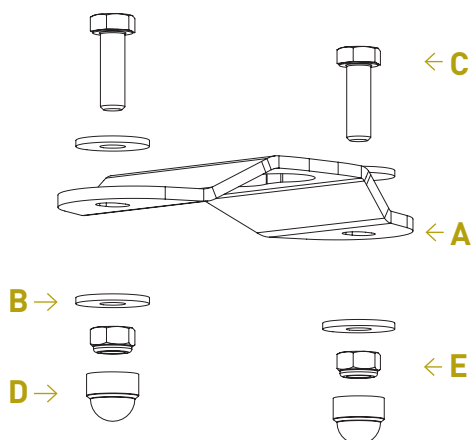
ON INSTALLATION AND SAFETY

- Installation and assembly must be carried out by a qualified specialist.
- The following information is exclusively for the use of the specialist, who should be able to carry out the task correctly. This specialist's training must include the ability to identify possible hazards and assess risks in order to implement all appropriate health and safety measures.
- Please read the installation and safety instructions thoroughly. When transferring ownership or use of this product, this manual must always be included.
- Read the operating instructions for the speaker system, which is to be mounted on this mounting device, and follow its installation notes.
- Only use accessories and spare parts from the ADAM Audio range.
- Observe all relevant regional, national and international regulations and guidelines when installing.
- Use the ADAM Audio adapter plate and any other mounting accessories only to attach speakers weighing up to 37 kg (81.6 lbs).
- The adapter plate for mounting brackets must not be exposed to vibrations.

On page 8 of this user manual and in the download area of www.adam-audio.com you will find a schematic illustration as an aid for mounting ADAM Audio's accessories. Only use those fastening materials shown in this illustration.

Parts List

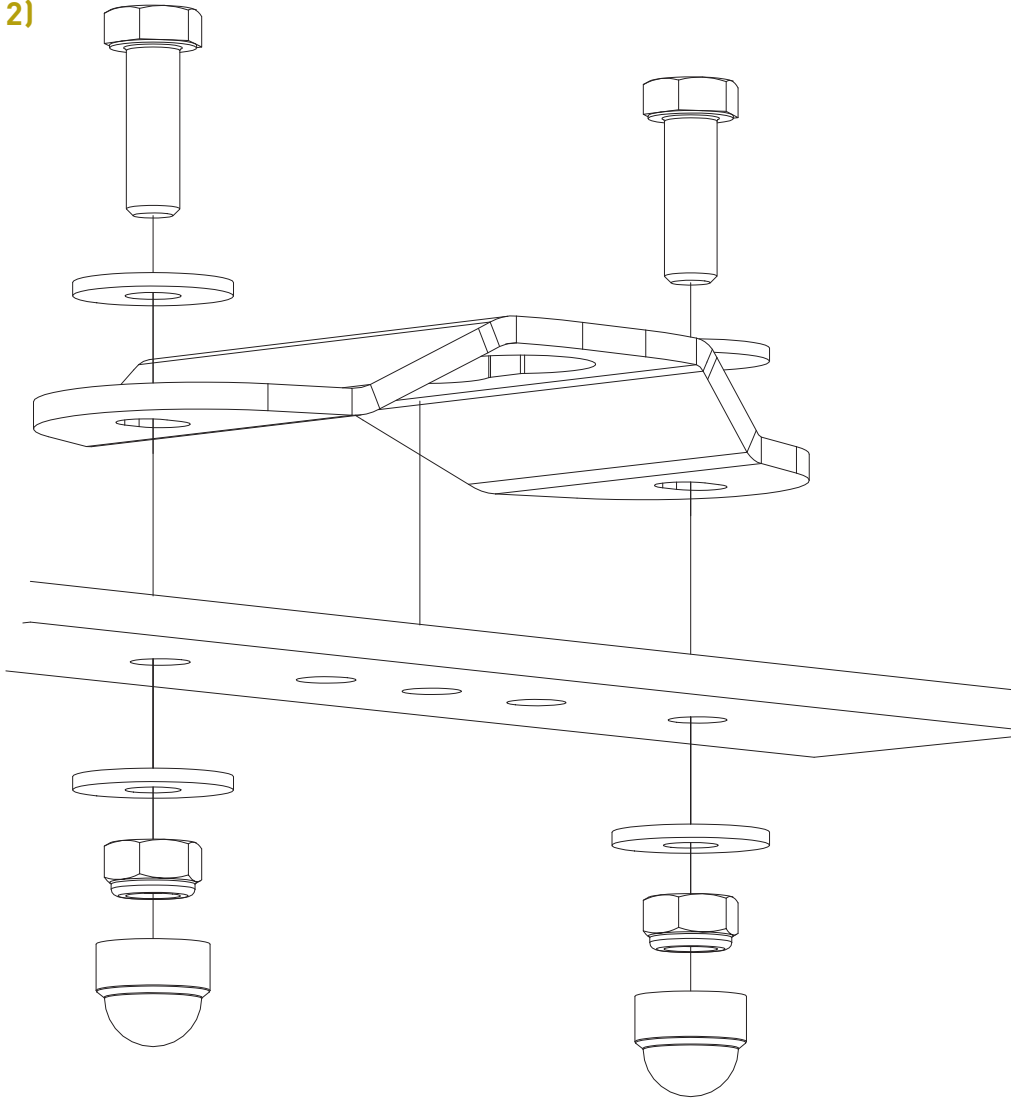
- A:** 1 x Adapter plate
- B:** 4 x Washer
- C:** 2 x Screws M8 × 25
- D:** 2 x Lock washers
- E:** 2 x Nuts M8



INSTALLING

- First, attach an ADAM Audio mounting bracket that has a cylindrical mount (e.g. Wall Mount (Order No. 31102600), Telescopic Boom For Ceiling Mount (Order No. 31102700)) to a horizontal or vertical surface. Observe all assembly and safety instructions.
- The area where you attach the fastener must be capable of supporting the total weight resulting from the weight of the monitor and the weight of the mounting accessory. If it is a vertical surface, you must also take into account the leverage of the assembly.
- Connect the speaker system to the ADAM Audio mounting accessories, which can be combined with both the speaker system and the adapter plate (see illustration on page 8). Observe all assembly and safety instructions.
- Connect the adapter plate to the mounting accessory that is attached to the speaker system (e.g. Mounting Brackets For S2V, S3H or S3V, not included). Tighten the nuts with a torque of 20 Nm.
- If several positions are possible, select the one that causes the least leverage when the monitor is tilted.

2)





DANGER!

Dropping the speaker system or the mounting accessory may result in personal injury or property damage.

As long as the monitor and mounting accessories are not yet attached to the cylindrical support, they can fall off. There is a risk that the speaker system could fall down until the entire assembly has been fixed. As long as this installation has not yet been carried out, the speaker system must be held by another qualified specialist. The above requirements also apply to this specialist. In addition, you must provide any additional safety measures to prevent the speaker from falling down during assembly.

Technical Specifications

Weight: 0,32 kg (0.71 lbs)

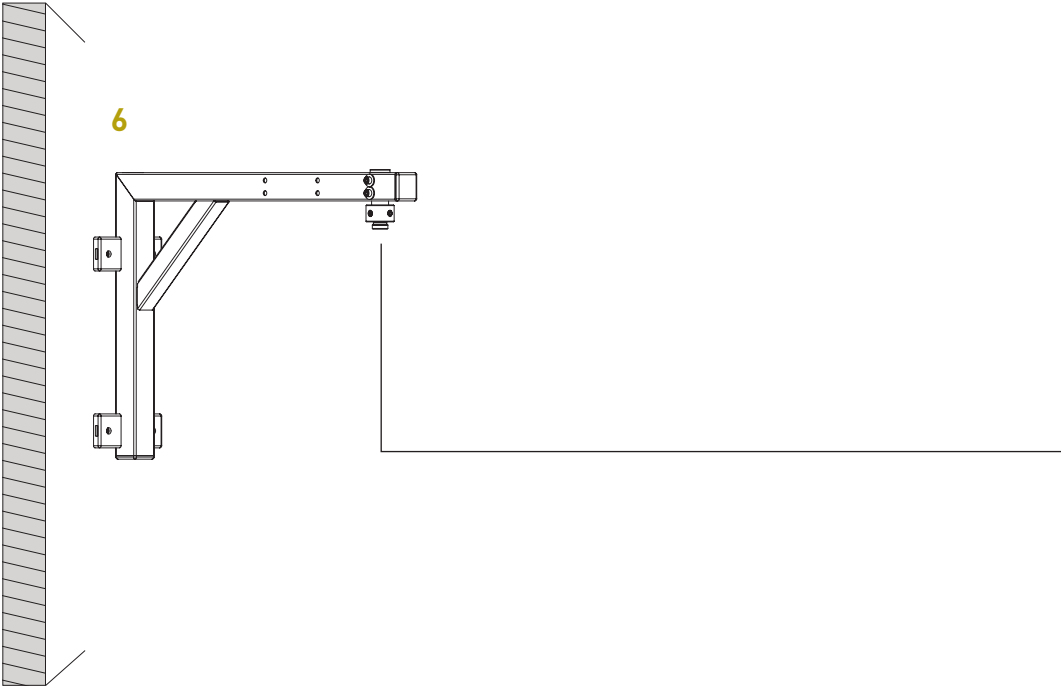
Dimensions (H × W × D): 16 mm x 145 mm x 80 mm
(0.6" x 5.7" x 3.1")

Max. load: 37 kg (81.6 lbs)

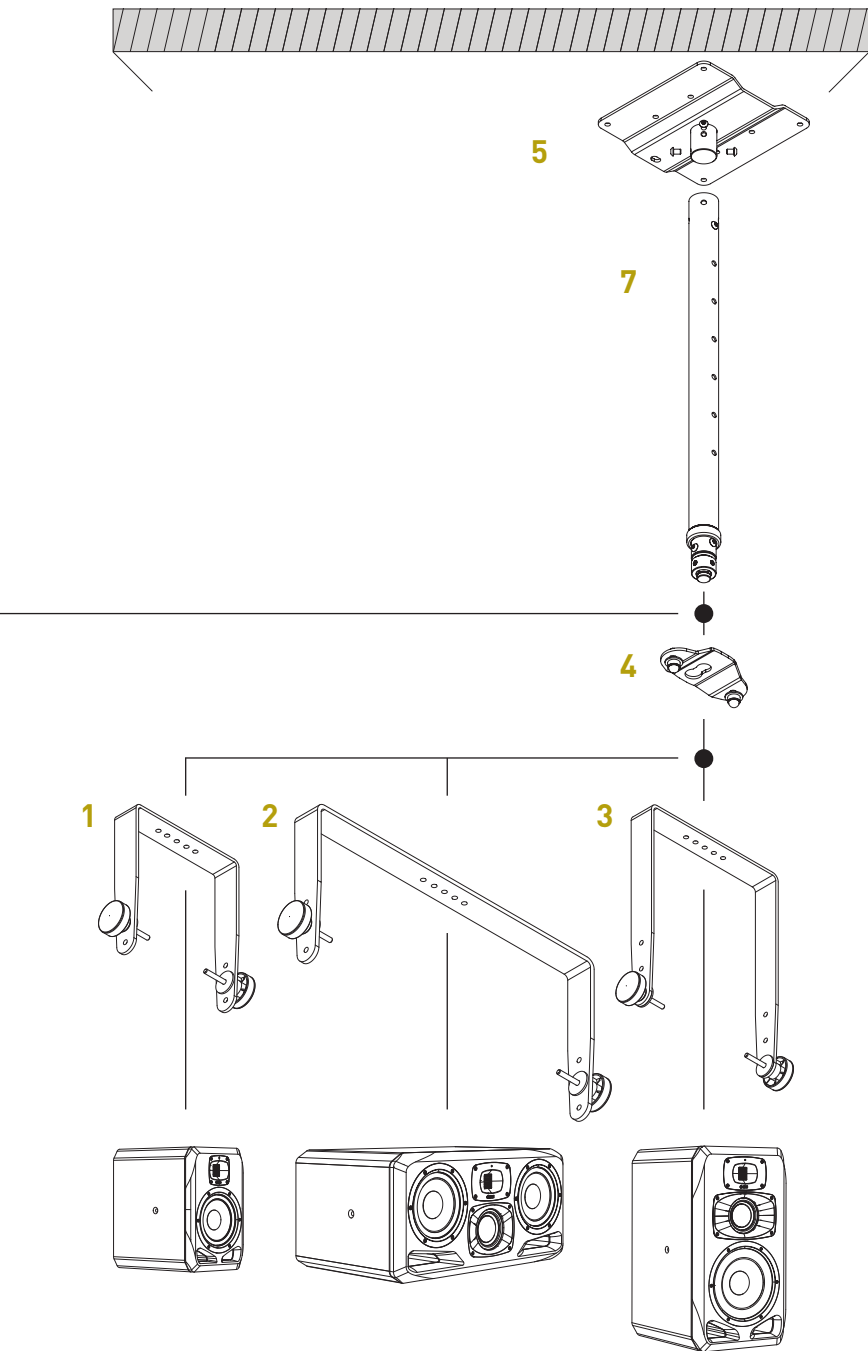
Warranty

Our current **warranty conditions** may be found at
www.adam-audio.com.

MOUNTING ACCESSORIES



	Article Description	Order No.
1	MOUNTING BRACKET FOR S2V	31102100
2	MOUNTING BRACKET FOR S3H	31102200
3	MOUNTING BRACKET FOR S3V	31102300
4	ADAPTER PLATE FOR MOUNTING BRACKET	31102400
5	CEILING MOUNT	31102500
6	WALL MOUNTING	31102600
7	TELESCOPIC BOOM FOR CEILING MOUNT	31102700



OFFICIAL REQUIREMENTS: THE FOLLOWING SHOULD BE STRICTLY ADHERED TO

1. At least every 3 months, check that the adapter plate, mounting hardware, all cables and their connectors, as well as the monitor itself, are in serviceable condition. Check that all screws are tightened.
2. Ensure that all power, audio and coupling cabling attached to the monitor system have no strain exerted on them, i.e.: any and all cables must never bear any of the weight of the monitors or their accessories including brackets and telescopic assemblies etc.
3. Be sure to use both screws **C** to secure the adapter plate to the ADAM Audio mounting hardware

Should you deviate from any of the above installation and safety instructions, or should any of the items, become damaged, you must immediately uninstall the entire system.

© ADAM Audio GmbH 2018

Even if all efforts have been made to ensure the correctness of the information contained herein, the ADAM Audio GmbH cannot be held responsible for potential errors or missing information.

All specifications are subject to change without notice.

ADAM AUDIO GMBH

BERLIN, GERMANY

T +49 30-863 00 97-0

F +49 30-863 00 97-7

INFO@ADAM-AUDIO.COM

ADAM AUDIO UK

EMAIL: UK-INFO@ADAM-AUDIO.COM

ADAM AUDIO USA INC.

EMAIL: USA-INFO@ADAM-AUDIO.COM

WWW.ADAM-AUDIO.COM

